

40mm sq.

San Ace 40WF



General Specifications

- Material Frame: Plastics (Flammability: UL94V-0), Impeller: Plastics (Flammability: UL94V-0)
- Expected Life Refer to specifications (L10:Survival rate: 90% at 60°C, rated voltage, and continuously run in a free air state)
- Lead Wire ⊕red ⊖black or blue (Sensor) yellow
- Storage Temperature -30°C to +70°C (Non-condensing)

The product can be used in an oil mist environment*

*Environment where machining oil mist is scattered.
Usage of this product requires an evaluation with the oil that will be used.

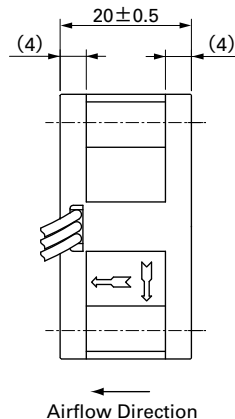
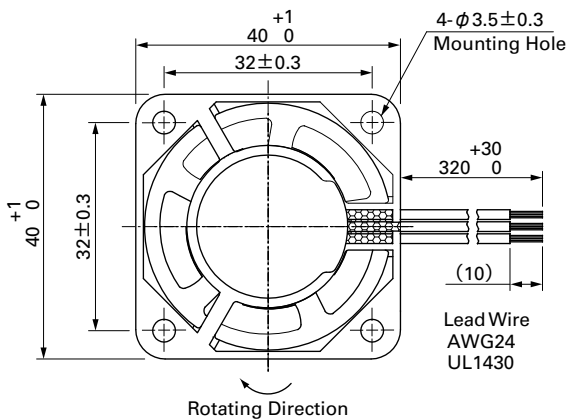
40×40×20mm (Mass : 50g) 9WF type

Specifications The following nos. have pulse sensors and ribs.

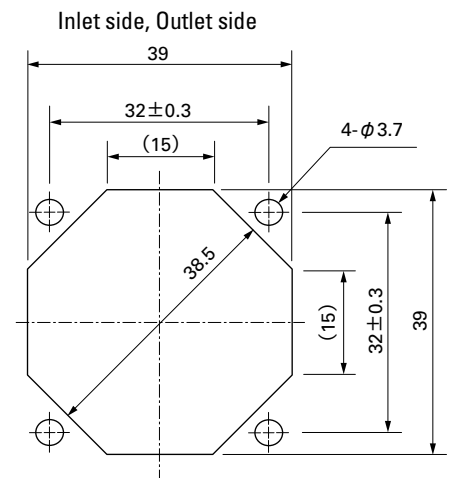
| Model No. | Rated Voltage [V] | Operating Voltage Range [V] | Rated Current [A] | Rated Input [W] | Rated Speed [min ⁻¹] | Max. Airflow [m ³ /min] [CFM] | Max. Static Pressure [Pa] [inchH ₂ O] | SPL [dB(A)] | Operating Temperature [°C] | Expected Life [h] |
|-------------|-------------------|-----------------------------|-------------------|-----------------|----------------------------------|------------------------------------------|--------------------------------------------------|-------------|----------------------------|-------------------|
| 9WF0424H601 | 24 | 20.4 to 27.6 | 0.11 | 2.64 | 13,100 | 0.26 9.2 | 90 0.361 | 42 | -20 to +70 | 40,000/60°C |
| 9WF0424F601 | | | 0.076 | 1.82 | 11,000 | 0.22 7.77 | 62.8 0.252 | 37 | | |

Other sensor specifications are available as options. Please refer to the index (p. 511).

Dimensions (unit: mm)



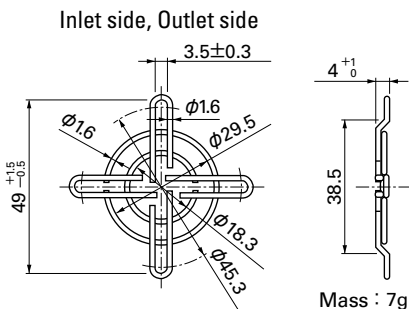
Reference Dimensions of Mounting Holes and Vent Opening (unit: mm)



Options (unit: mm)

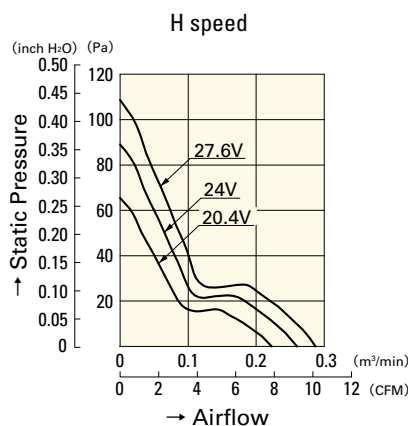
Finger Guards

Model : 109-059 Surface treatment : Nickel-chrome plating (silver)
: 109-059H : Cation electroplating (black)

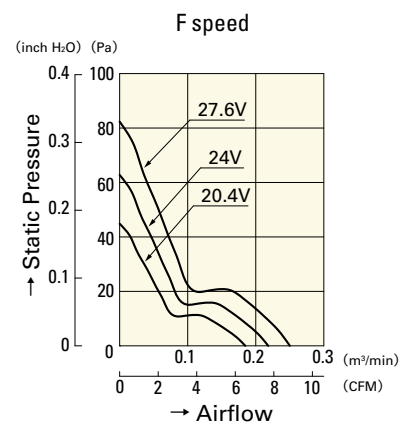


Mass : 7g

Airflow - Static Pressure Characteristics



9WF0424H601



9WF0424F601