

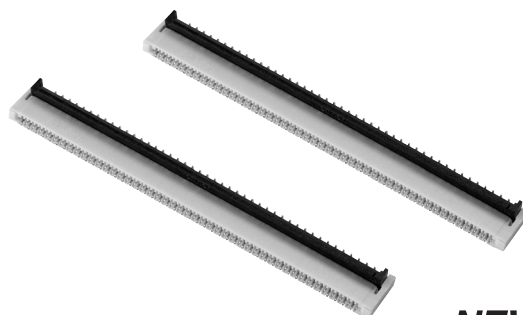
Rotary Backlock Connector (0.3-mm Pitch, Dual Contact)

XF3E**Large number of contacts with 0.3-mm Pitch and 1.1-mm On-board Height**

- Rotary Backlock Connector.
- Dual Contact.
- Gold plated with an applicable FPC thickness of 0.2 mm.
- Halogen Free (See note.)

Note: OMRON uses the following standard to determine halogen-free construction: 900 ppm max. for Br, 900 ppm max. for Cl, and 1,500 ppm max. for Br+Cl.

- RoHS Compliant

**NEW****Ordering Information**

Pins	Model	Quantity per reel (unit) (See Note)
90	XF3E-9045-31AE	1,500

Note: Please order by integer multiple of the quantity per reel.

Ratings and Specifications**■ Characteristics**

Rated current	0.2 A AC/DC
Rated voltage	50 V AC/DC
Contact resistance	80 mΩ max. (at 20 mV max., 100 mA max.)
Insulation resistance	100 MΩ min. (at 250 VDC)
Withstand voltage	250 VAC for 1 min (leakage current: 1 mA max.)
Insertion tolerance	20 times
Ambient operating temperature	-30 to 85°C (with no icing or condensation)

■ Materials and Finish

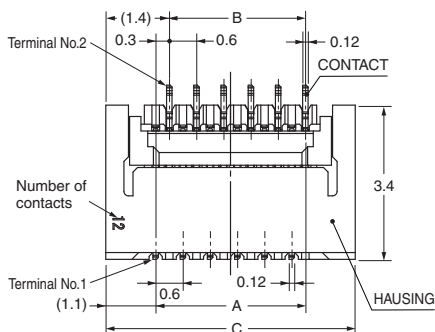
Housing	LCP resin (UL94V-0)/natural
Slider	LCP resin (UL94V-0)/black
Contacts	Spring copper alloy/nickel substrate (2 μm), Gold-plated contacts (0.15 μm)

Dimensions

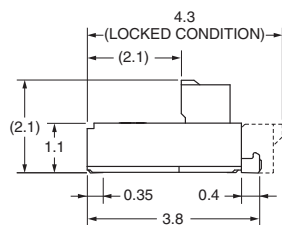
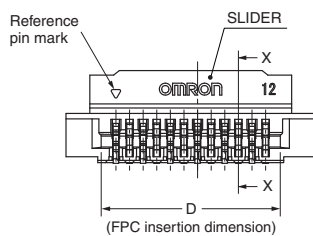
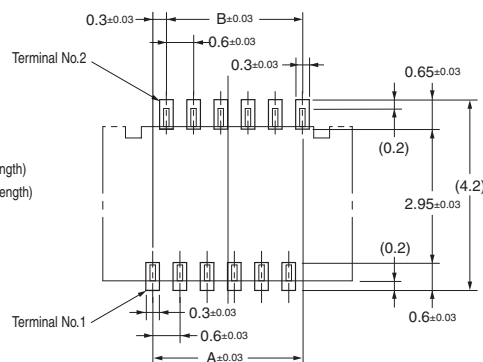
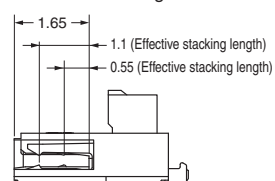
Unit: mm

XF3E-□□45-31AE

PCB Mating Dimensions (TOP VIEW)



Cross-section diagram :X-X



Applicable FPC Dimensions

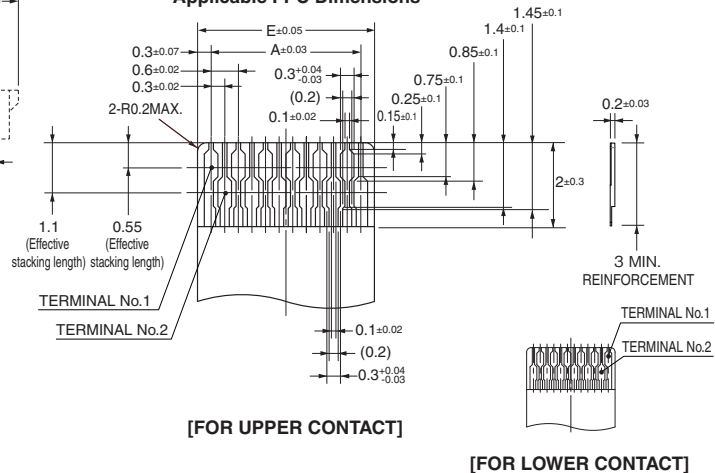
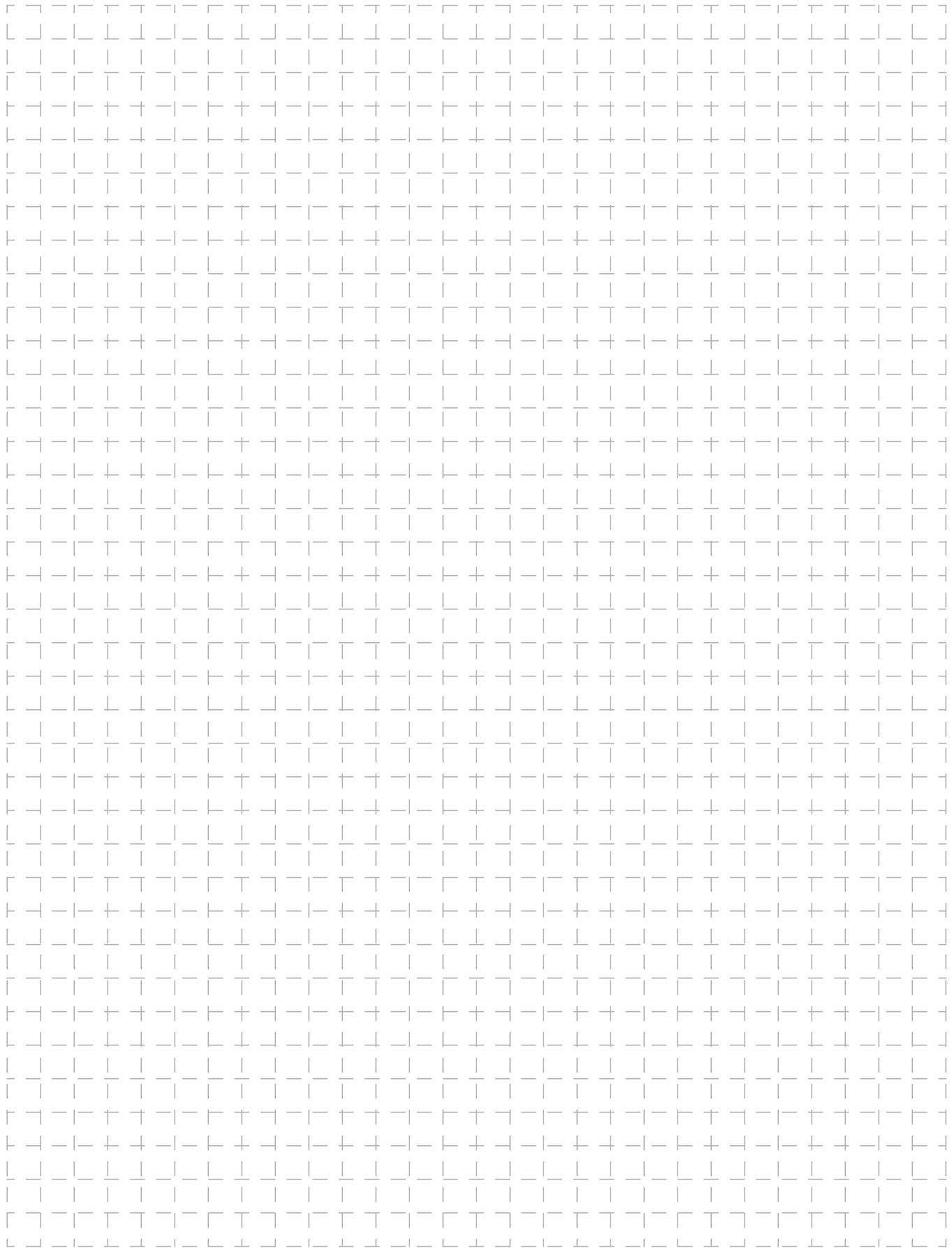


Table of Dimensions

Pins	Model	A	B	C	D	E
90	XF3E-9045-31AE	26.7	26.4	28.9	27.4	27.3



All sales are subject to Omron Electronic Components LLC standard terms and conditions of sale, which can be found at http://www.components.omron.com/components/web/webfiles.nsf/sales_terms.html

ALL DIMENSIONS SHOWN ARE IN MILLIMETERS.
To convert millimeters into inches, multiply by 0.03937. To convert grams into ounces, multiply by 0.03527.

OMRON[®]

**OMRON ELECTRONIC
COMPONENTS LLC**

55 E. Commerce Drive, Suite B
Schaumburg, IL 60173

847-882-2288

OMRON ON-LINE

Global - <http://www.omron.com>

USA - <http://www.components.omron.com>

Cat. No. G011-E-09a

05/13

Specifications subject to change without notice

Printed in USA