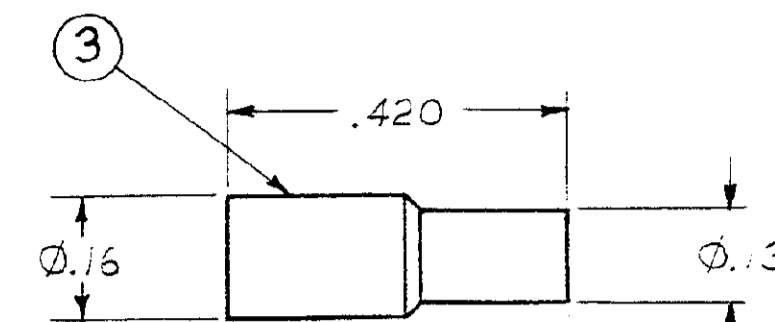
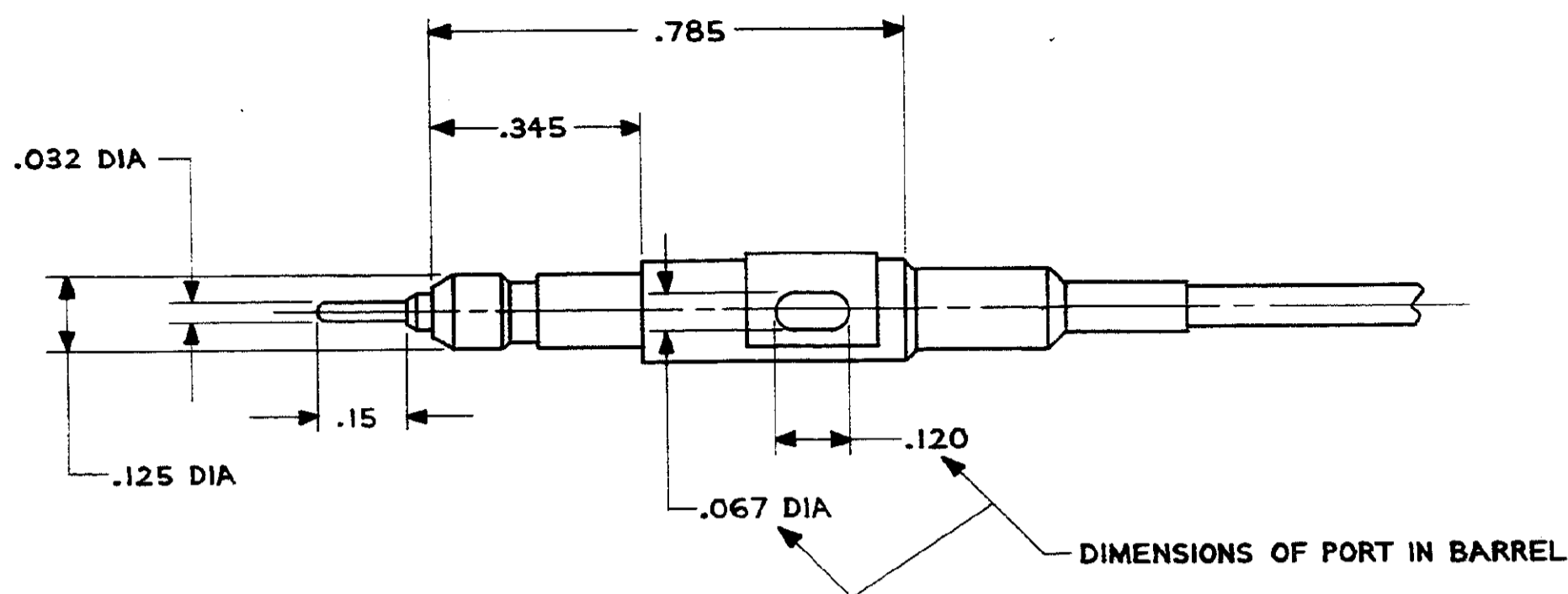


DRAWING MADE IN THIRD ANGLE PROJECTION

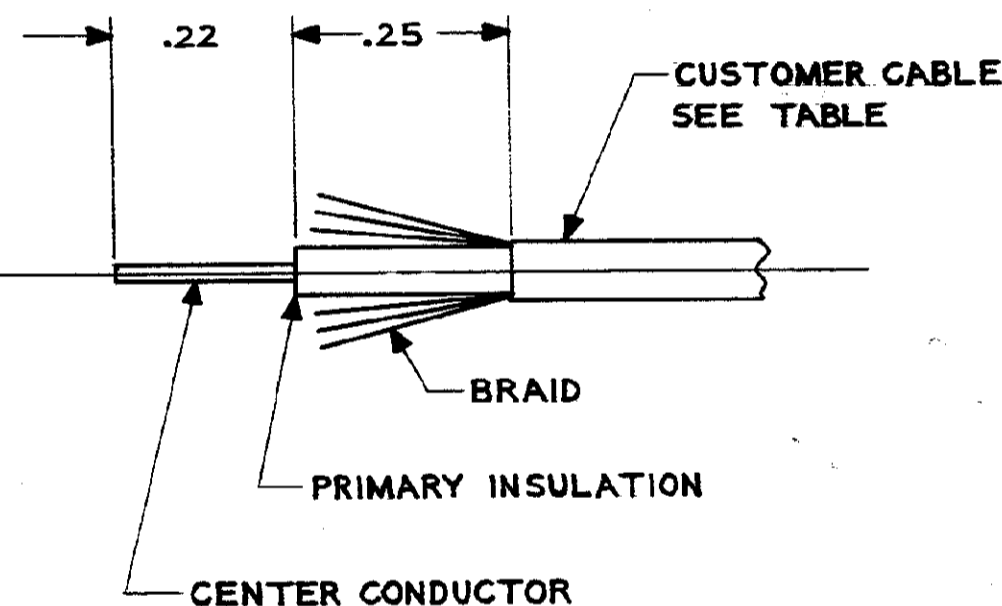
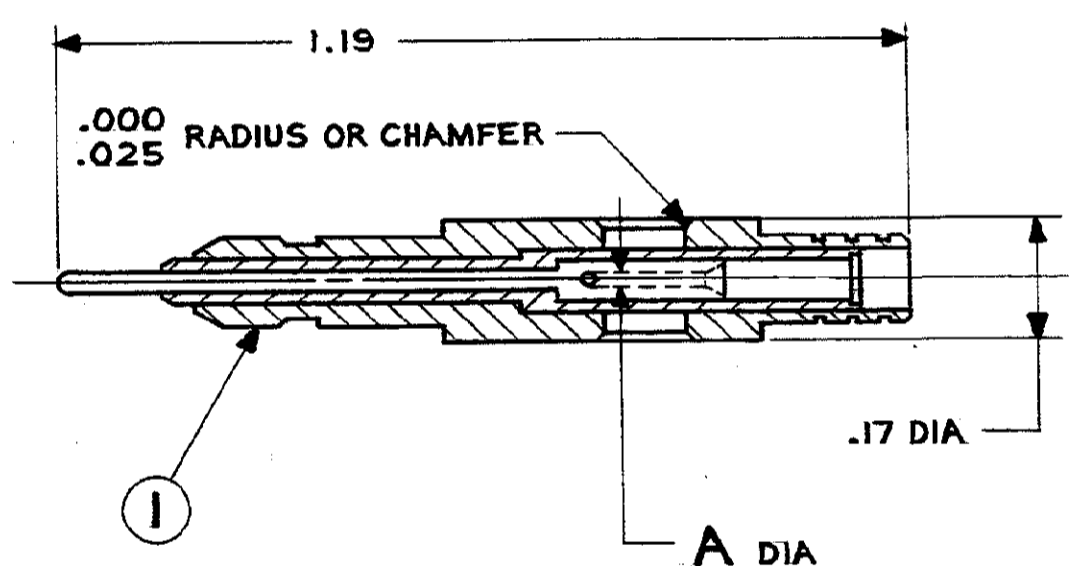
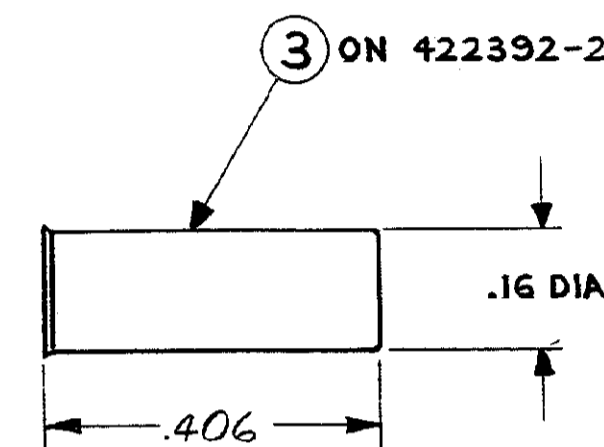
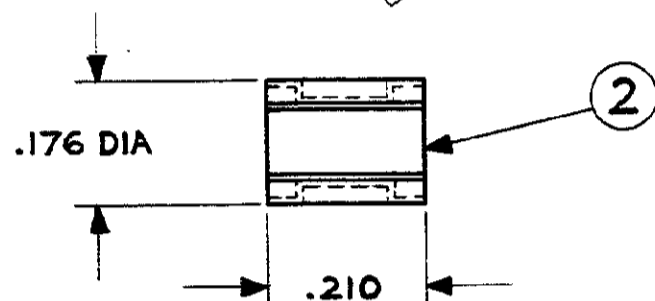
© COPYRIGHT 1970, 79 BY AMP INCORPORATED, HARRISBURG, PA.  
ALL INTERNATIONAL RIGHTS RESERVED. AMP INCORPORATED PRODUCTS  
COVERED BY U. S. AND FOREIGN PATENTS AND/OR PATENTS PENDING.

LOC DF DIST NO

REVISIONS						
P	F	ZONE	LTR	DESCRIPTION	DATE	APPROVED
✓	✓		T	REDRAWN & REVISED	EA 1272 7-24-79	JM
✓	✓		U	OBSOLETE -4	EA 2265 6-6-83	DJH
✓	✓		V	REV PER ECN DF-1450	M.C. 3-10-87	JA
✓	✓		W	REV PER DF-2870	BR 3-7-90	FR



FOR 422392-1, -3, -4 & 5



	.031 - .033	402954 402660	RG-316	328666	421260-2	422389-3	422392-5
OBSOLETE	.022 - .024	402954 402660	SPECIAL RAYTHEON	328666		422389-2	-4
	.039 - .041	402954 402660	22 OR 20 SHIELDED	328666		422389-1	-3
	.025 - .028	402952 402659	RG-174, 188	329230		422388-1	-2
	.022 - .024	402954 402660	RG-179A, 187	328666	421260-2	422386-1	422392-1
A		DIE SET	HAND TOOL	TYPE OF CABLE	3 FERRULE	2 SHIELD CLIP	1 REAR TERM. ASSY KIT PART NO.

1 PATCHCORD KIT MAY BE CRIMPED ON WIRE USING HAND TOOL OR BY USING DIE SET IN PNEUMATIC TOOL.  
2. FOR ASSEMBLY OF THIS KIT SEE INSTRUCTION SHEET \*15 398010.

UNLESS OTHERWISE SPECIFIED DIMENSIONS ARE IN INCHES. TOLERANCES ON: DECIMALS ±.02 ANGLES ±	CONTRACT NO	AMP INCORPORATED Harrisburg, Pa.	
	DR		7-25-79
	CHK		8-8-79
	APPD		8-9-79
MATERIAL	DSGN APPD	NAME	
FINISH	OTHER APPD	REAR TERMINAL KIT	
		SIZE CODE IDENT NO DRAWING NO	
		C 00779 422392	
		SCALE 4:1 SHEET 1	

CUSTOMER DRAWING