



# PRODUCT DATASHEET

## Florentina series

last update 21/9/2016

### DETAILS

<b>Product Number</b>	FCP14965_FLORENTINA-2X2-RS
<b>Family</b>	Florentina
<b>Type</b>	Assembly
<b>Color</b>	black
<b>Diameter</b>	95,57x95,57 mm
<b>Height</b>	17,72 mm
<b>Style</b>	square
<b>Optic Material</b>	PC,PC
<b>Holder Material</b>	
<b>Fastening</b>	screw, pin
<b>Status</b>	production ready
<b>ROHS Compliant</b>	Yes
<b>Date Updated</b>	21/09/2016

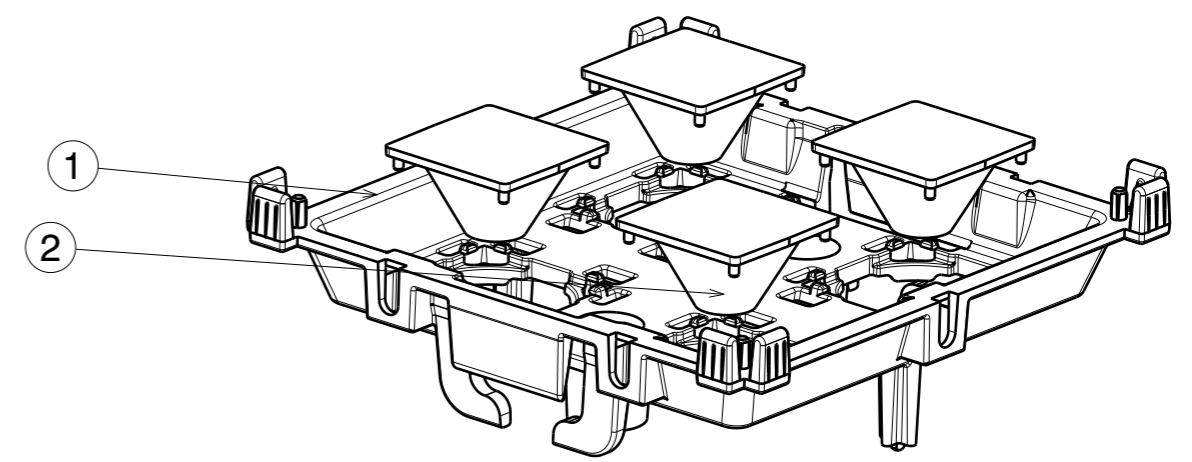
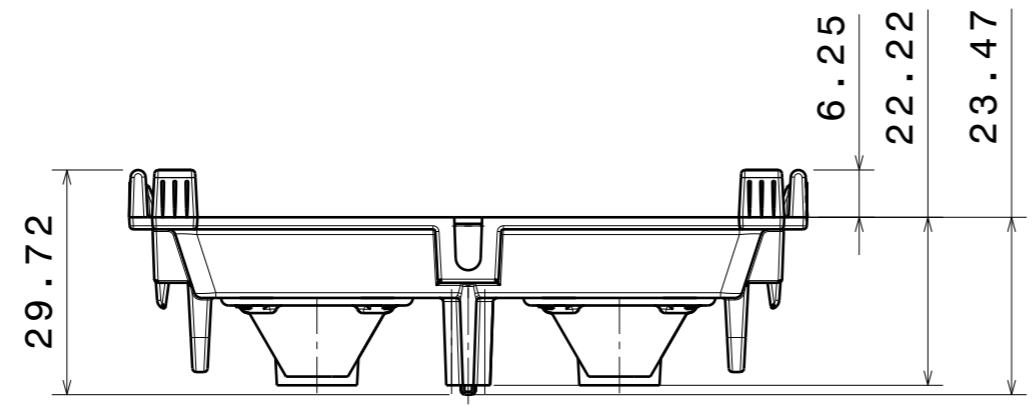


### OPTICAL PROPERTIES

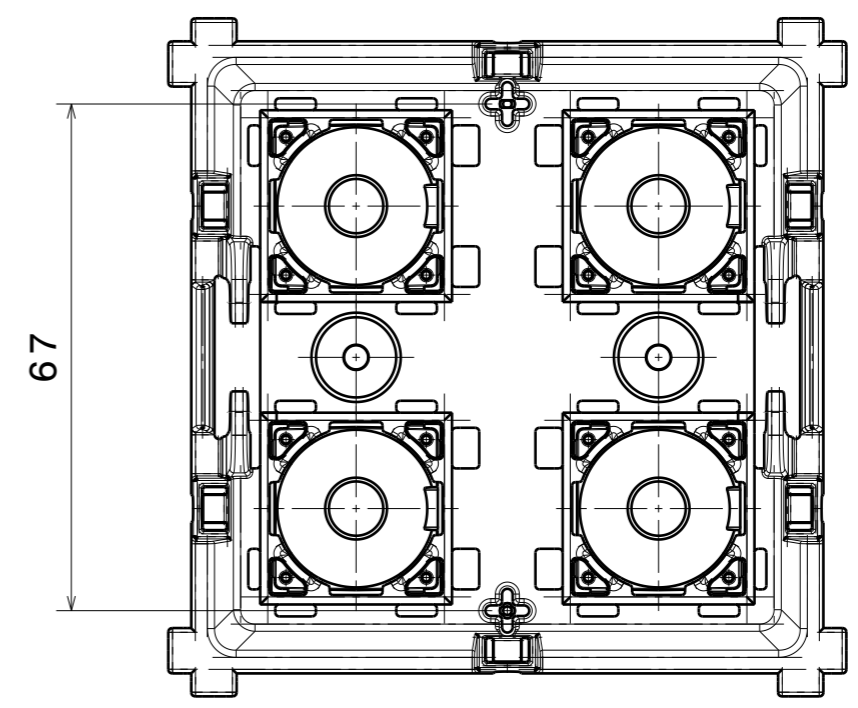
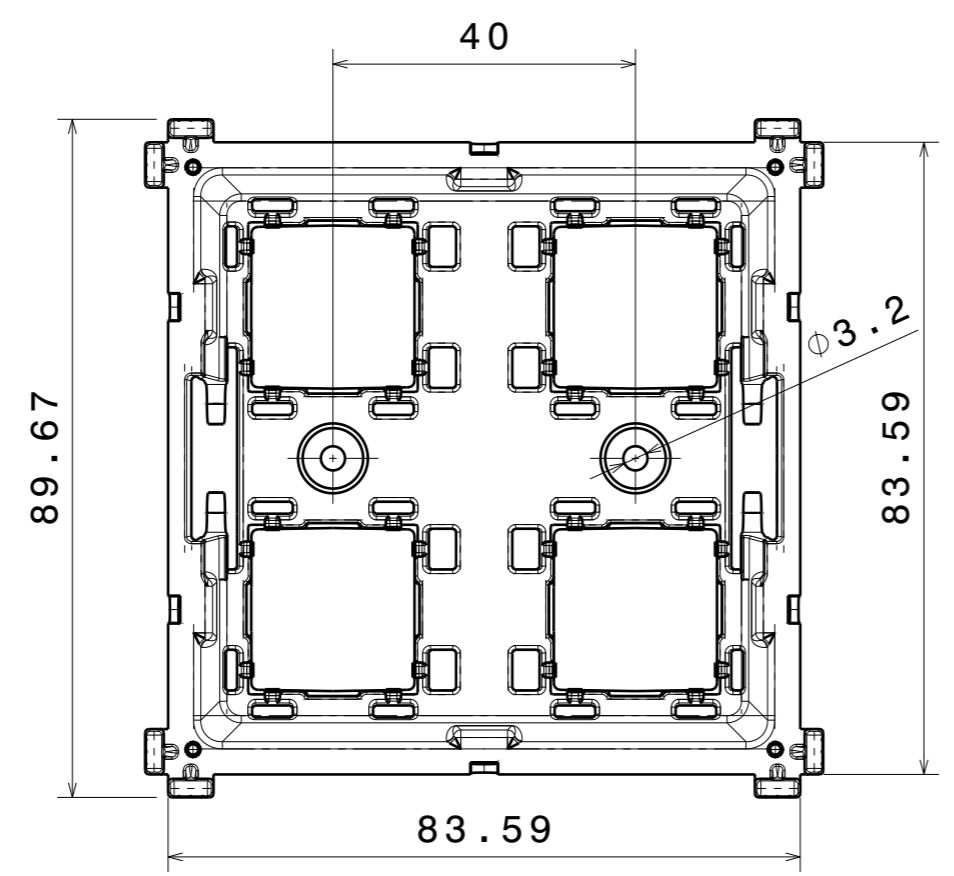
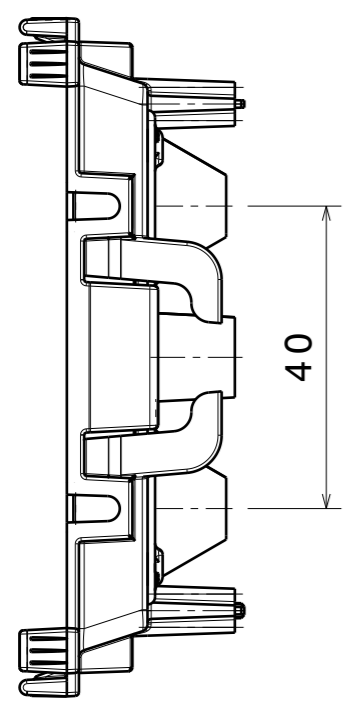
LED	Viewing Angle	Light Beam	Efficiency	cd/lm	Connector
-	NA deg		-	-	-
XHP35 HD	17 deg		86 %	7.000	-

H G F E D C B A

4



3



2

1

INDEX	PART NO	DESCRIPTION	MATERIAL	COLOUR
1		FLORENTINA-HLD	PC	
2		ROSE (4x)	PMMA	

Tolerances if not otherwise shown  
 According to DIN ISO 2768-1  
 Linear measures:  
 Up to 30mm class M, otherwise class C.  
 According to DIN ISO 2768-2  
 Form and position: class L

**LEDiL** Ledil Oy  
 Salorankatu 10  
 FIN 24240 SALO  
 Finland

THIRD ANGLE PROJECTION:

DRAWING TITLE  
**FLORENTINA-2X2-HLD+LENS**

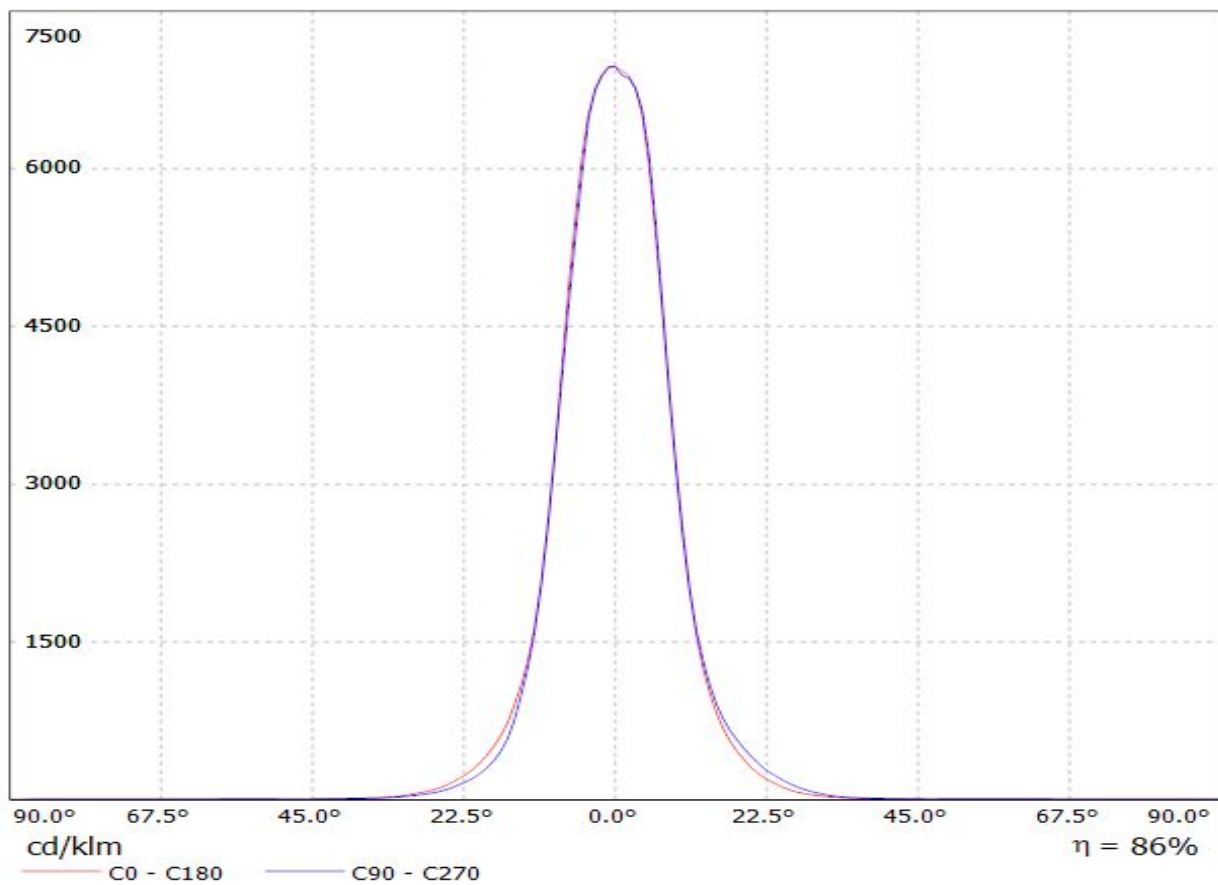
This drawing is the property of LEDiL Oy. It may not be reproduced, copied or communicated without a written agreement with LEDiL Oy.

SIZE	PART NUMBER
<b>A3</b>	

SCALE	1:1	WEIGHT	24,17 g	SHEET	1/1
-------	-----	--------	---------	-------	-----

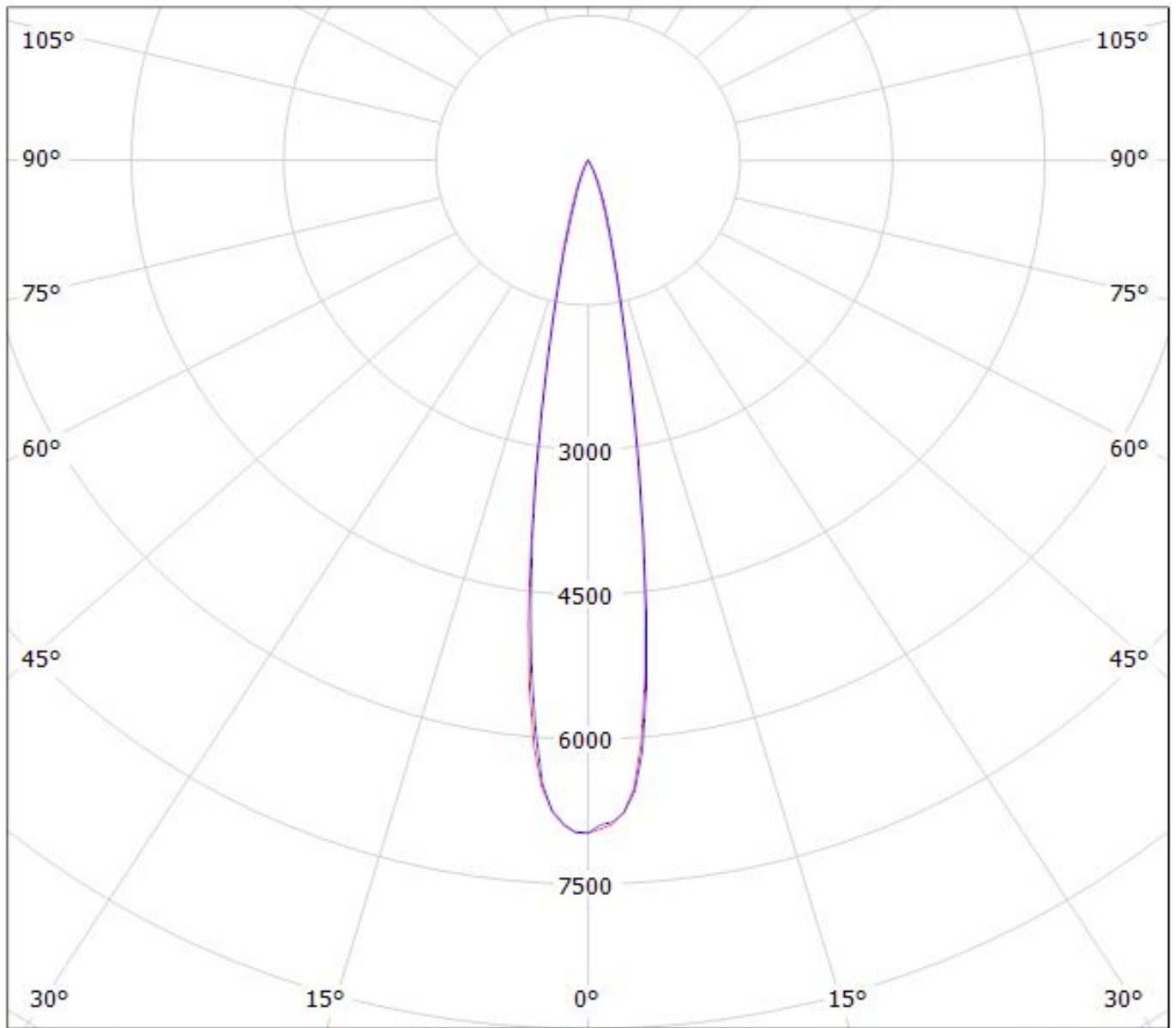
H G B A

Luminaire: LEDiL Oy FCP14965\_FLORENTINA-2X2-RS\_(XHP35\_HD)  
Lamps: 1 x Cree\_XHP35\_HD\_(XHP35A-0-2D0-D40-D0-B-01)\_1719.03lm@250mA\_P=11.3047W\_I=0.250A



Luminaire: LEDiL Oy FCP14965\_FLORENTINA-2X2-RS\_(XHP35\_HD)

Lamps: 1 x Cree\_XHP35\_HD\_(XHP35A-0-2D0-D40-D0-B-01)\_1719.03lm@250mA\_P=11.3047W\_η=0.250A



cd/klm

— C0 - C180

— C90 - C270

η = 86%

**NOTE: The typical divergence will be changed by different color, chip size and chip position tolerance. The typical total divergence is the full angle measured where the luminous intensity is half of the peak value.**