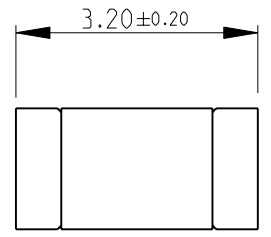
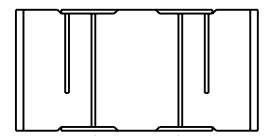
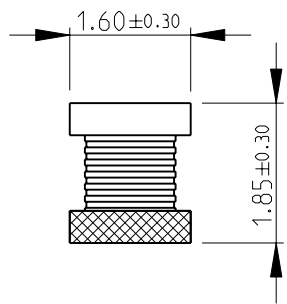
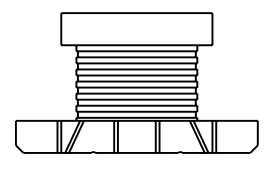


THIS DRAWING IS UNPUBLISHED. RELEASED FOR PUBLICATION 2008  
 © COPYRIGHT 2008 BY TYCO ELECTRONICS CORPORATION. ALL RIGHTS RESERVED.

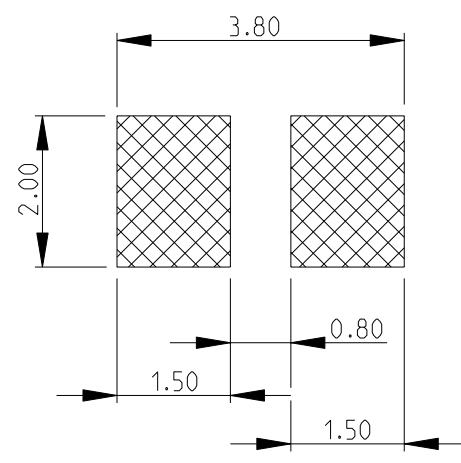
LOC	DIST	REVISIONS					
		P	LTR	DESCRIPTION	DATE	DWN	APVD
E	B		A	NEW RELEASE	13-NOV-08	SM	St.P



3624A SERIES AS SHOWN



RECOMMENDED LAND PATTERN FOR 3624A SERIES

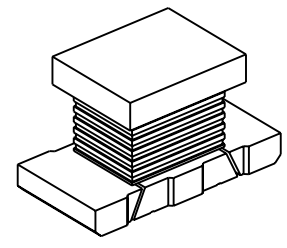


1 INDUCTANCE CODE

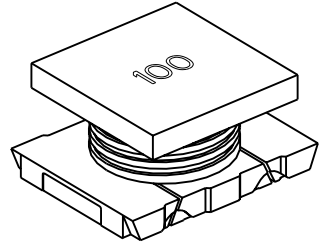
2 FOR FURTHER INFORMATION SEE DATA SHEET FOR 3624 SERIES-SMD POWER INDUCTORS

RoHS Compliant

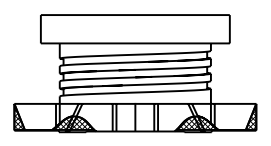
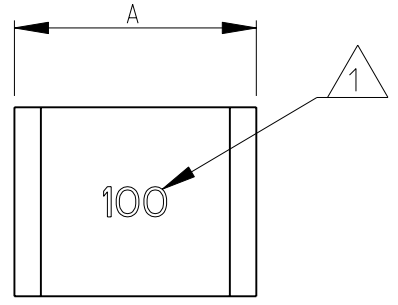
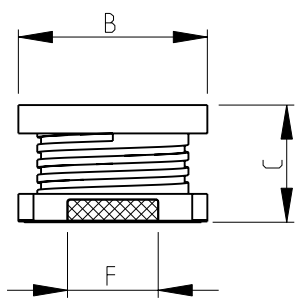
3624A SERIES



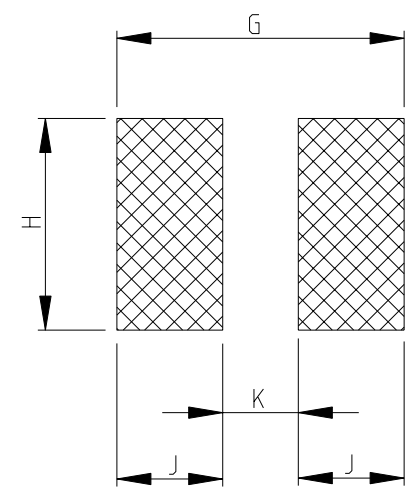
3624B SERIES



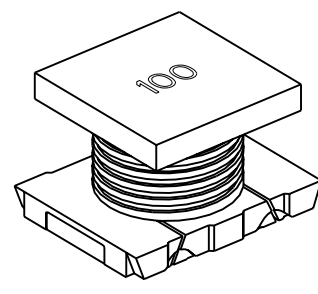
3624B, 3624C, 3624D SERIES AS SHOWN



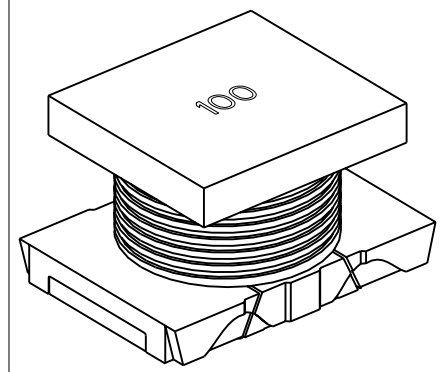
RECOMMENDED LAND PATTERN FOR 3624B, 3624C, 3624D SERIES



3624C SERIES



3624D SERIES



SERIES	A±0.3	B±0.3	C	D	E	F	G	H	J	K
3624B	3.20	2.50	1.55±0.15	1.30	1.20	1.20	3.80	2.80	1.40	1.00
3624C	3.20	2.50	2.00±0.3	1.30	1.20	1.20	3.80	2.80	1.40	1.00
3624D	4.50	3.20	2.00±0.3	1.30	1.60	2.00	5.40	3.60	2.00	1.40

THIS DRAWING IS A CONTROLLED DOCUMENT FOR TYCO ELECTRONICS CORPORATION IT IS SUBJECT TO CHANGE AND THE CONTROLLING ENGINEERING ORGANIZATION SHOULD BE CONTACTED FOR THE LATEST REVISION.

DIMENSIONS:	TOLERANCES UNLESS OTHERWISE SPECIFIED:
mm	
	±0.2
	±0.1
	±
	±
	±
ANGLES	±5°
MATERIAL	FINISH

DWN	SUBHASH.M	13-NOV-08
CHK	PRAKASH.S	13-NOV-08
APVD	STEPHEN.P	13-NOV-08
PRODUCT SPEC	-	-
APPLICATION SPEC	-	-
WEIGHT	-	-

Tyco Electronics Corporation Dorcan, Swindon, SN3 5HH			
NAME		SMD POWER INDUCTORS SERIES 3624	
SIZE	CAGE CODE	DRAWING NO	RESTRICTED TO
A3	00779	C-1676960	-
CUSTOMER DRAWING		SCALE	SHEET
		1:1	1 OF 1
		REV	A