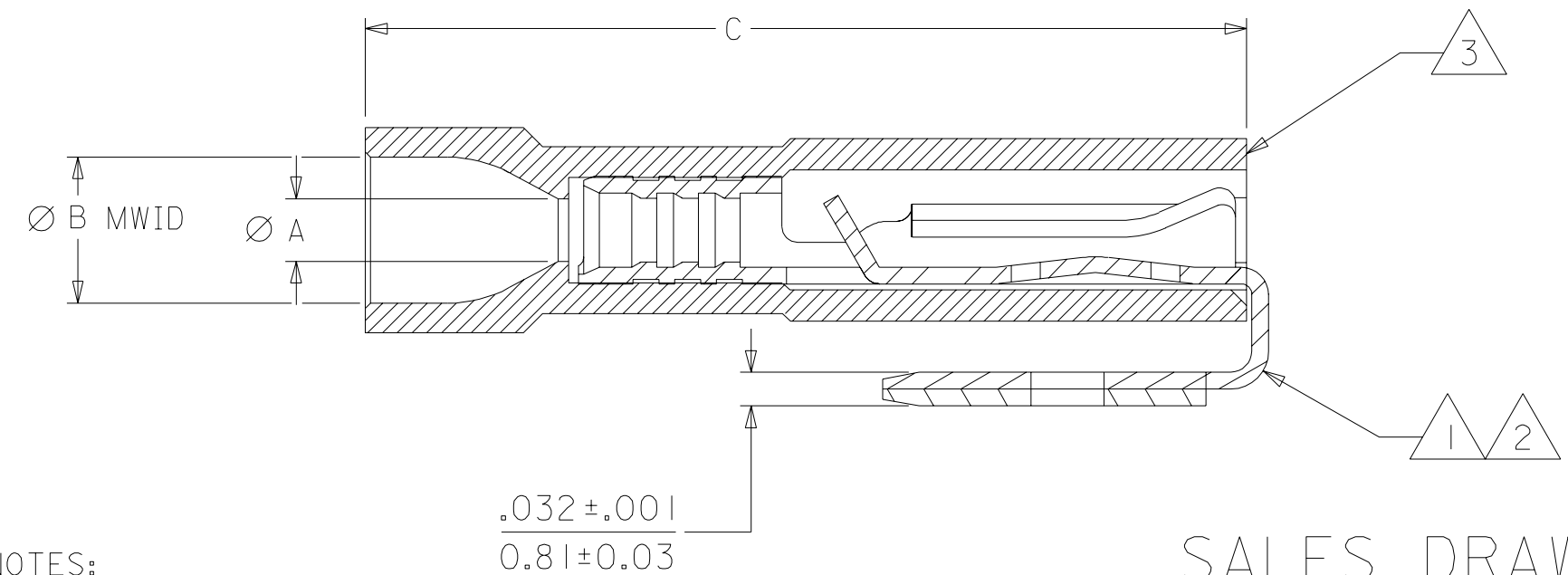
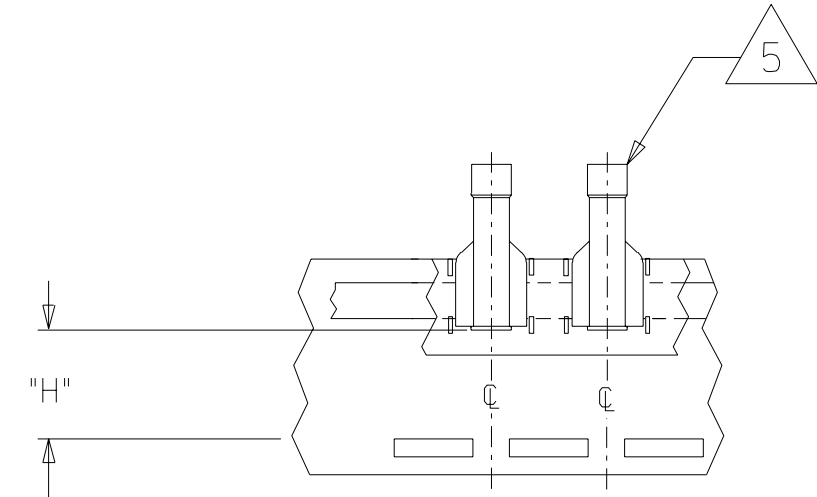
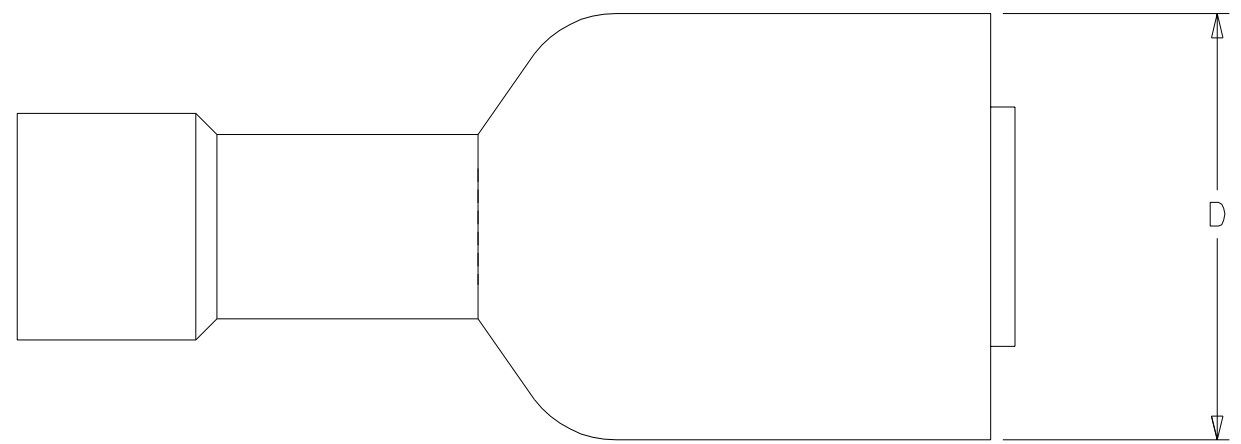


10	9	8	7	6	5	4	3	2	1	
MATERIAL NUMBER	ENGINEERING NUMBER	MATERIAL NUMBER	ENGINEERING TAPE NUMBER	WIRE SIZE	INSULATION COLOR	A MAX	$\triangle 4$ B MWID	C $\pm .020 / (0.51)$	D $\pm .020 / (0.51)$	H $\pm .010 / 0.25$
190130001	AA-2317	190130002	AA-2317T	22-18 AWG	RED	.062 / (1.57)	.140 / (3.56)	.85 / (21.6)	.37 / (9.4)	.540 / 13.7
190130005	BB-2318	190130006	BB-2318T	16-14 AWG	BLUE	.087 / (2.21)	.165 / (4.19)	.85 / (21.6)	.37 / (9.4)	.540 / 13.7
190130018	C-2319	190130016	C-2319T	12-10 AWG	YELLOW	.155 / (3.94)	.280 / (7.11)	1.02 / (25.9)	.36 / (9.1)	.565 / 14.5



- NOTES:
- $\triangle 1$. TERMINAL MATERIAL: BRASS
 - $\triangle 2$. TERMINAL FINISH: ELECTRO-TIN
 - $\triangle 3$. INSULATION: NYLON
 - $\triangle 4$. MWID = MAXIMUM WIRE INSULATION DIAMETER
 - $\triangle 5$. MOUNTED WITH BARE TAB TO TAPE.

SALES DRAWING

WAS CD-2909
 EC NO. ETC2003-0225
 DRWN: BRE 03/04/03
 CHK: HEB 03/04/03
 APPR: RWD 03/04/03

QUALITY SYMBOLS	MAJOR $\nabla = 0$	GENERAL TOLERANCES: (UNLESS SPECIFIED)	SCALE NO: NE	DESIGN UNITS <input type="checkbox"/> mm <input checked="" type="checkbox"/> INCH	THIRD ANGLE PROJECTION <input checked="" type="checkbox"/> THIRD ANGLE <input type="checkbox"/> FIRST ANGLE
	CRITICAL $\triangle = 0$	4 PLACES $\pm 0.$ mm $\pm .$ INCH	3 PLACES $\pm 0.$ mm $\pm .005$ INCH	2 PLACES ± 0.13 mm $\pm .01$ INCH	1 PLACE ± 0.25 mm $\pm .$ INCH
DESCRIPTION	ANGULAR: $\pm 1/2^\circ$	DRAWN BY & DATE BRE 03/03/19		TITLE: INSULKRIMP FIQD PIGGYBACK .250 X .032 TAB SIZE	
REV	DRAFT WHERE APPLICABLE MUST REMAIN WITHIN DIMENSIONS	CHECKED BY & DATE HEB 03/03/19		APPROVED BY & DATE RWD 03/03/19	
		CAD FILENAME SD-19013-001 .DGN		MATERIAL NO. SEE CHART	
		THIS DRAWING CONTAINS INFORMATION THAT IS PROPRIETARY TO MOLEX INCORPORATED AND SHOULD NOT BE USED WITHOUT WRITTEN PERMISSION.		DRAWING NO. SD-19013-001	
				SHEET NO.	
				SIZE B	