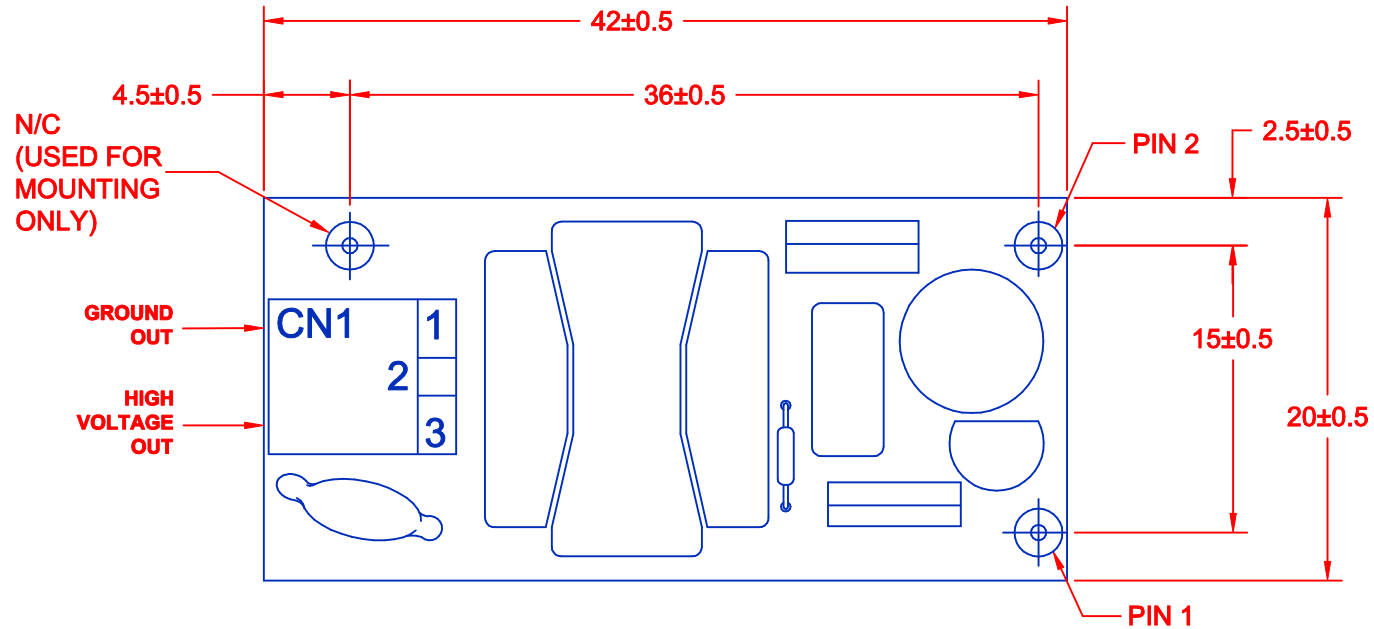
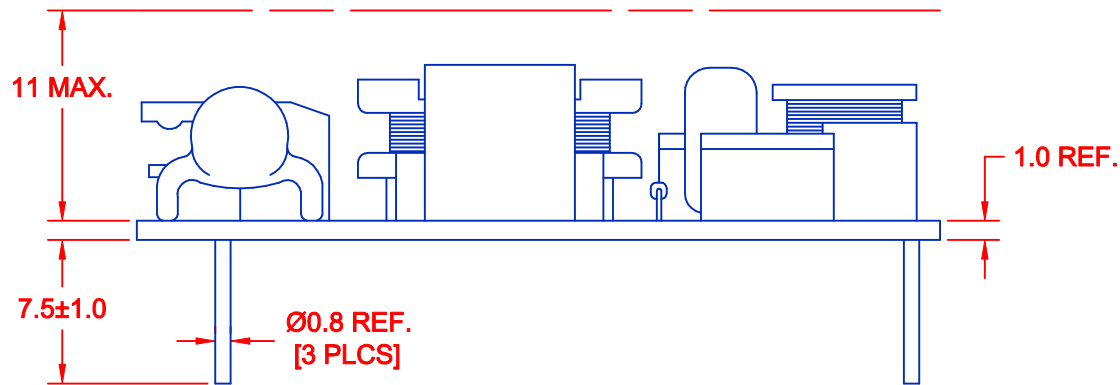


REV.	DESCRIPTION/ECO NO.	DATE
	RELEASE & CANCEL	1/3/03
	BXA-12553/KIT & BXA-12553/INV	



NOTE:
MATING CONNECTOR IS NOT INCLUDED WITH INVERTER. JKL WIRE HARNESS PART NO. BXC-10566 CAN BE ORDERED SEPARATELY.



CN1 PIN #	TO LAMP
1	OUT GROUND
2	N/C
3	HIGH V

BOARD PIN #	INPUT
1	+V (V in)
2	V (GND)

CHARACTERISTICS	MIN	TYP	MAX
INPUT VOLTAGE: (vdc)	10.8	12.0	13.2
INPUT CURRENT: (mA)	---	180	250
OUTPUT VOLTAGE: (Vrms)	600	700	800
OUTPUT CURRENT (maRms)	4.0	5.5	7.0
OUTPUT FREQUENCY: (kHz)	10	25	40
OPERATING TEMP: (CELSIUS)	0	25	50

<p>METRIC THIRD ANGLE PROJECTION</p>	<p>DIMENSIONS ARE IN MILLIMETERS</p> <p>TOLERANCE UNLESS OTHERWISE SPECIFIED</p> <p>1 PL +/- 0.3</p> <p>2 PL +/-</p> <p>ANGLE +/- 0</p>	<p>JKL COMPONENTS CORPORATION</p>			
	<p>TITLE CCFL POWER SUPPLY</p>				
<p>DRAWN BY L. WENGSTROM</p>	<p>APP'VD BY F.D.</p>	<p>DATE 1/3/03</p>	<p>SIZE A</p>	<p>FSCM NO. 55335</p>	<p>DRAWING NO. BXA-12553</p>
<p>- CAD DRAWING - MANUAL REVISIONS NOT PERMITTED</p>			<p>SCALE NONE</p>	<p>RELEASED DATE 1/3/03</p>	<p>REVISION DATE</p>
				<p>REV. NO.</p>	<p>SHEET OF</p>