

P/N: T198821

Copyright

© 2015, FLIR Systems, Inc.

All rights reserved worldwide. Names and marks appearing herein are either registered trademarks or trademarks of FLIR Systems and/or its subsidiaries. All other trademarks, trade names or company names referenced herein are used for identification only and are the property of their respective owners.

Document identity

Publ. No.: T198821

Release:

Commit: 26732

Language: en-US

Modified: 2015-06-12

Formatted: 2015-10-17

Disclaimer

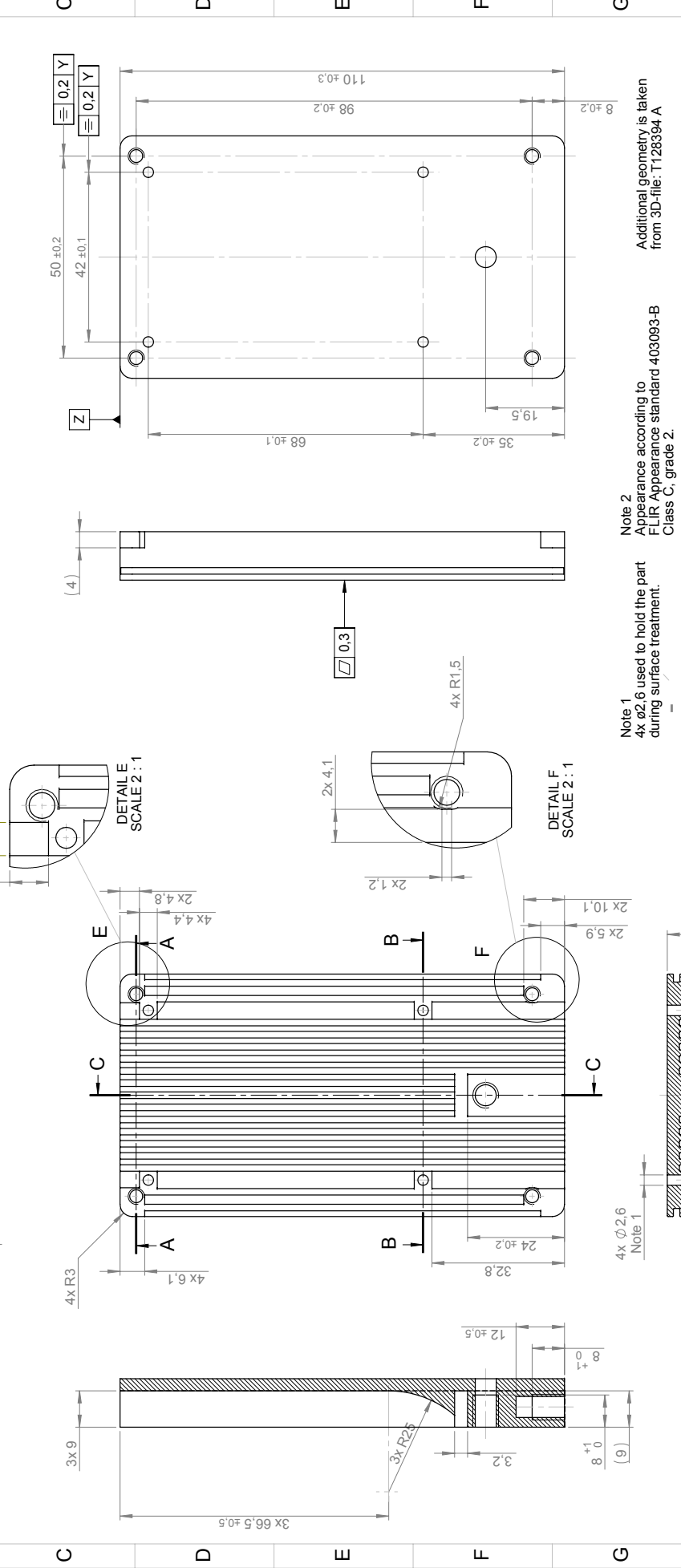
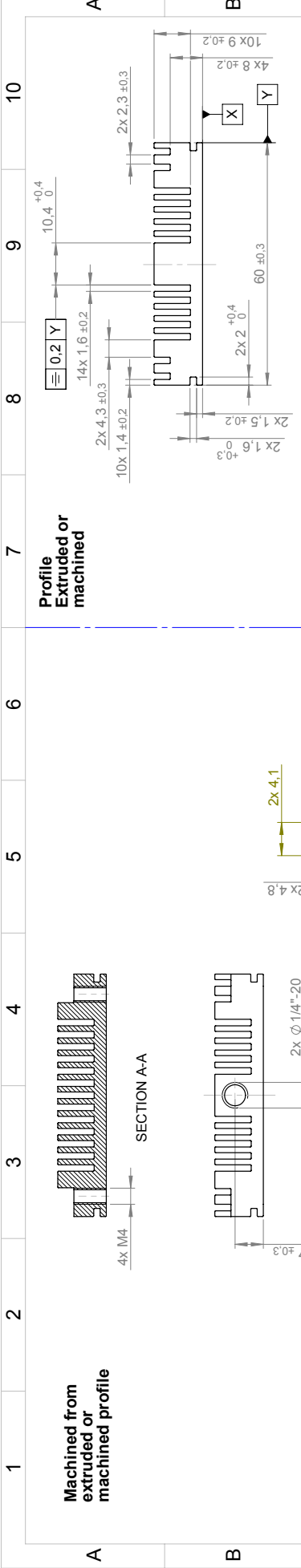
Specifications subject to change without further notice. Camera models and accessories subject to regional market considerations. License procedures may apply. Products described herein may be subject to US Export Regulations. Please refer to exportquestions@flir.com with any questions.



General description	
Aluminum cooling bracket for FLIR AX8. See dimensional drawing for mounting holes.	
Physical data	
Weight	0.14 kg (0.31 lb.)
Size (L x W x H)	110 x 60 x 12 mm (4.3 x 2.4 x 0.5 in.)
Color	Blue anodizing
Shipping information	
Packaging, type	Cardboard box
List of contents	<ul style="list-style-type: none">Cooling bracketScrews
Packaging, weight	0.240 kg (0.53 lb.)
Packaging, size	157 x 130 x 65 mm (6.2 x 5.1 x 2.6 in.)
EAN-13	4743254002036
UPC-12	845188011161
Country of origin	Sweden

Compatible with the following products

- 71201-0101; FLIR AX8 9 Hz



FLIR Brand/Sheet Size: 1(1) A3 Rev: A Title: Bracket cooling Ref: T128394		Additional geometry is taken from 3D-file: T128394-A	
Datum/Date: 2014-09-18 Kontrolleret: JAMA Material: EN AW-6262 R Anvendt/Modificeret: Ylammeh/Surface treatment Ylammeh/Roughness: Anodized colorless matt Ra: 3.2 µm Benævnelser/Denominations:		Note 1 4x ø2,6 used to hold the part during surface treatment.	
Konstruktør: P. MARCUS Dato: 2014-09-18 Kontrolleret: JAMA Material: EN AW-6262 R Anvendt/Modificeret: Ylammeh/Surface treatment Ylammeh/Roughness: Anodized colorless matt Ra: 3.2 µm Benævnelser/Denominations:		Note 2 Appearance according to FLIR Appearance standard 403093-B Class C, grade 2.	
Dir: ej anført/Thickness otherwise stated Gen til ISO 2768-mK Ubrug af tolerancer fra ISO 2768-m 0.5-6 ±0.1 Håkløstader ±0.2 Fillet radi (30)-120 ±0.5 Kanter brudne (120)-400 ±0.8 Edges broken (400)-1000		0.1-0.3 0.1-0.3 0.1-0.3	