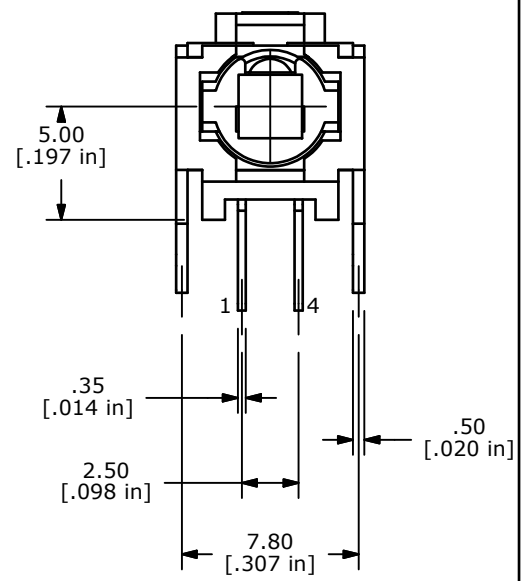
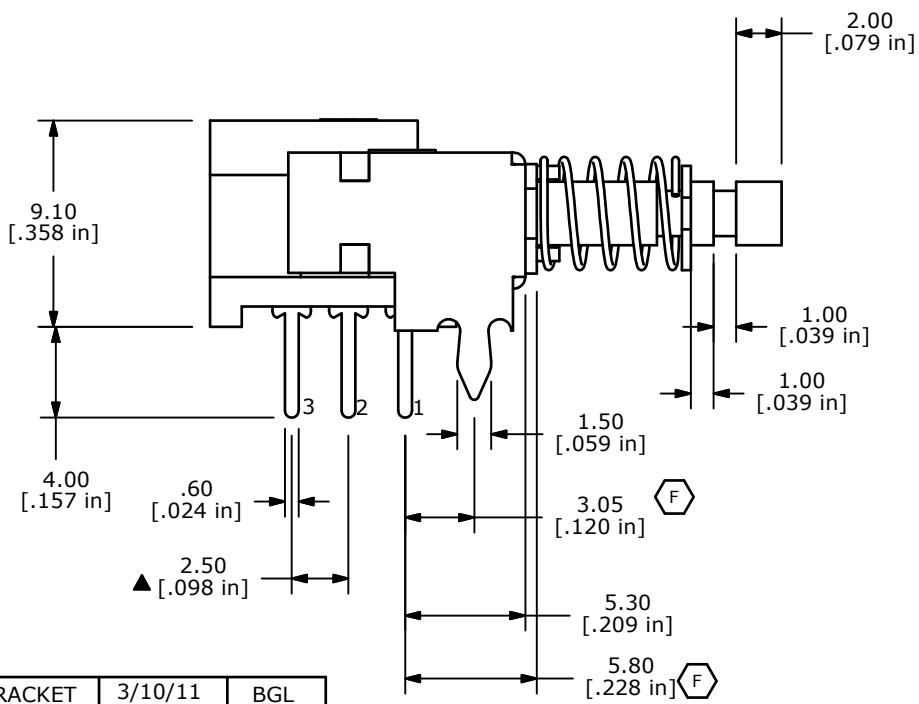
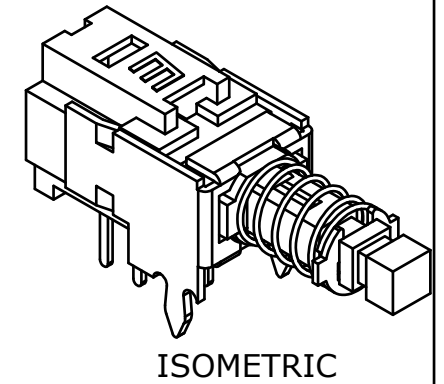
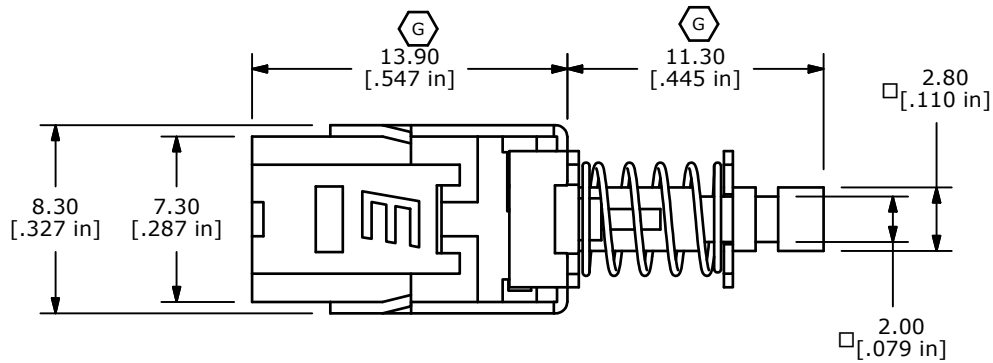


- NOTES:
1. ALL DIMENSIONS IN MM [INCH]
 2. GENERAL TOLERANCE: X.X±0.4
X.XX±0.25
 3. TERM. NOS. FOR REFERENCE ONLY.
 4. RATING 0.1A @30V DC
 5. MATERIALS:
CONTACT/TERMINALS: SILVER PLATE
HOUSING: PBT UL94V0
BASE: PA66 UL94V0
ACTUATOR: PA66 UL94V0
 6. CONTACT RESISTANCE: 100 mΩ (INITIAL)
 7. TIMING: NON-SHORTING
 8. OPERATING FORCE: 230±50GF
 9. TRAVEL: MOMENTARY
3MM OVERALL
 10. ELECTRICAL LIFE: 10000 CYCLES
 11. OPERATING TEMP: -20°C TO +70°C
 12. ▲ DENOTES CRITICAL PARAMETER.
 13. 2002/95/EC (ROHS) COMPLIANT



G	19753	CHANGE DIMENSION POINT TO BRACKET	3/10/11	BGL
F	19670	UPDATED DIAGRAM & DIMS.	2/10/11	BGL
E	15942	MOVE KZX 0.45MM CLOSER TO SWITCH	4/4/06	BK
D	15659	CHANGES NOTED	1/5/06	PH
C	15284	EDIT PC MOUNT, ADD ROHS NOTE	9/15/05	PH
B	15060	CORRECTED NOTES AND DIMMENSIONS	7/5/05	JB
A	14982	RELEASED FOR PRODUCTION	6/8/05	JB
REV	PCR NO	DESCRIPTION	DATE	BY



TITLE PBH2UOAKZXNAGV				
SCALE	DATE	DR	DWG	REV
3:1	6/8/2005	JB	Q960006	G

THE INFORMATION CONTAINED IN THIS DOCUMENT IS PROPRIETARY TO E-SWITCH AND IS NOT TO BE COPIED OR TRANSFERRED